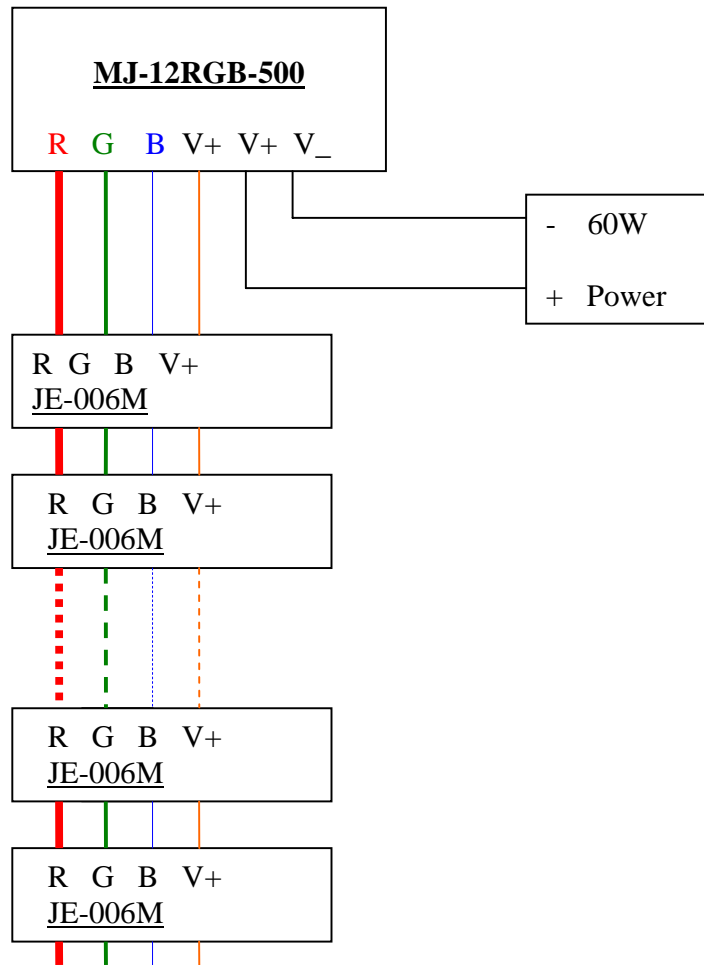


Connection Diagram A for JE-006M RGB color LED modules

1 group of JE-006M (Less than 70 pcs)



NOTE

- The power consumption of JE-006M is 0.26 to 0.78w/pc depends on lighted up leds.
- MJ-12RGB-500 recommended capacity is control of 450pcs.
- Diagram A is for 1 group which total modules less than 70pcs.
- Diagram B is 2 to 6 group for which total modules less than 450pcs.
- Up to 7 group and total modules more than 450pcs will use different controller.

Connection Diagram B for JE-006M RGB color LED modules

